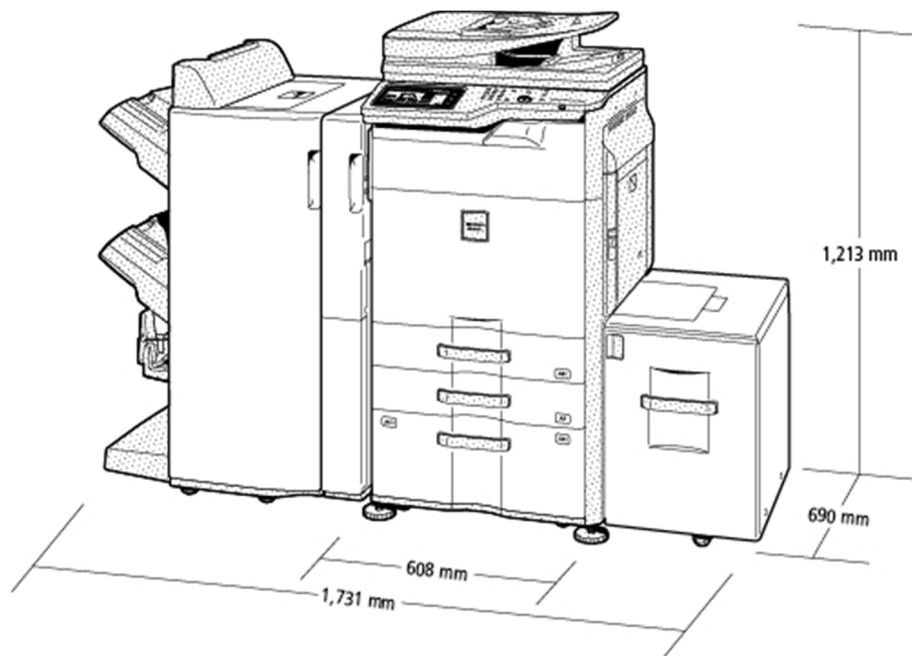
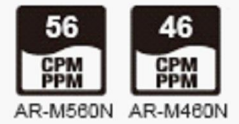


A Business-Smart Way to Balance Cost and Function



Shown with options.

AR-M560N/M460N **A Business-Smart Way to Balance Cost and Function**

Built to deliver reliable copy/print performance at an affordable price, the B/W AR-M560N/M460N offers a short warm-up time, fast output, and easy operation from a colour LCD control panel. And while this energy-efficient MFP handles fundamental document tasks with ease, a variety of finishing options can be added to save additional time and effort.



1 Professional-Looking Finishing

The AR-M560N/M460N can accommodate a range of finishing options to suit a variety of workplaces and applications. For basic sorting/stapling of documents, two types of handy finishers are available: the space-efficient Finisher can be added on without taking up much room, while the large-capacity Finisher has output trays that can hold up to 4,000 sheets. Saddle Stitch Finishers also come in two types: one has an output tray capacity of up to 1,000 sheets, while the other boasts a capacity of up to 4,000 sheets. In addition to basic sorting/stapling, both types of Saddle Stitch Finishers can fold/staple documents of up to 15 sheets to make completed booklets. Punch Modules are available for each finisher.

2 Standard-Equipped RSPF and Duplex Module

The AR-M560N/M460N comes equipped with a 100-sheet RSPF (reversing single pass feeder) and has a built-in stackless duplex module for making two-sided copies and printouts.



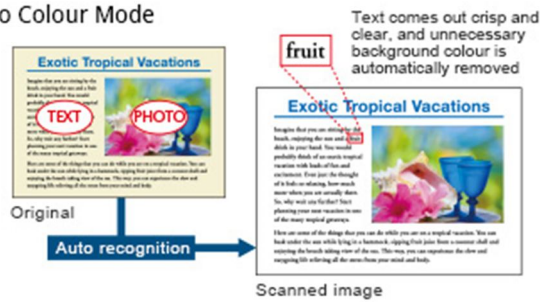
3 Extra Paper Capacity

For high-volume work, the AR-M560N/M460N can accommodate an optional stand with 500 + 2,000-sheet paper drawer for a total capacity of 6,600 sheets. When a tray runs out of paper, the Auto Tray Switching function automatically switches to another paper tray filled with the same size paper, allowing you to do extra-large volume jobs without worry.

Enhanced Scan Performance

A function of Auto Colour Mode, the automatic suppression of unnecessary background colour is essential to achieving crisp, clear, natural-looking images. The AR-M560N/M460N provides enhanced background suppression without losing colour balance, resulting in scanned images that closely match the original.

Auto Colour Mode



Stable Halftones and Smooth Gradations

Halftone process control employs an image density sensor to enhance the stability and accuracy of halftones, thereby bringing consistently high image quality to copy/print jobs. Meanwhile, 4-bit depth, rated at 600 dpi resolution, generates fine dots and rich greyscales that provide smooth gradations.

User-Friendly Control Panel

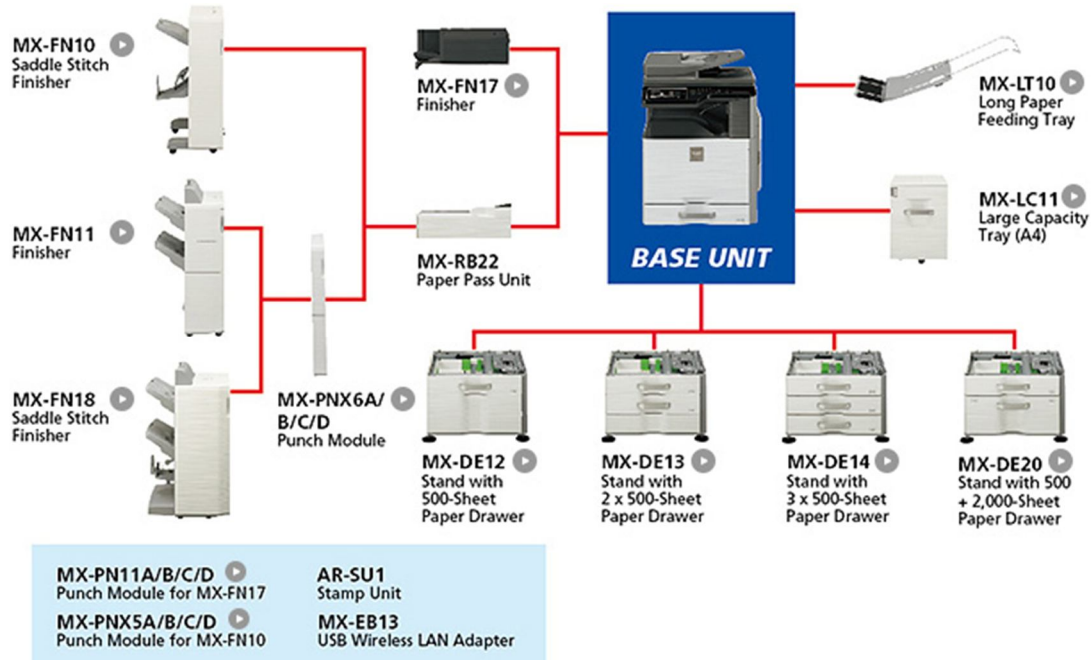
The AR-M560N/M460N is equipped with a 7.0-inch WVGA touchscreen colour LCD that provides easy navigation of MFP functions and settings.



Easy-Grip Handles

Easy-grip handles allow the paper drawers to be grasped from the top as well as the bottom for easy opening and closing.

System Configuration



Specifications

General

Type		Desktop
Engine speed		A4 (8 1/2" x 11"): Max. 56/46 ppm A3 (11" x 17"): Max. 26/22 ppm
Control panel display		7.0-inch colour LCD touchscreen
Paper size		Max. A3 wide (12" x 18")* ³ , min. A5 (5 1/2" x 8 1/2")* ⁴
Paper capacity	Standard	600 sheets
(80 g/m²)		(500-sheet tray and 100-sheet multi-bypass tray)
	Maximum	6,600 sheets
		(600 sheets & optional 500 + 2,000-sheet tray and 3,500-sheet tray)
Paper weight*⁵	Tray	60 g/m ² to 220 g/m ² (16 lbs bond to 80 lbs cover)
	Multi-bypass tray	55 g/m ² to 300 g/m ² (13 lbs bond to 110 lbs cover)
Warm-up time*⁶		12 sec.
Memory		2GB (copy/print shared)
Power requirements		Rated local AC voltage $\pm 10\%$, 50/60 Hz
Power consumption		Max. 1.84 kW (220 to 240V), max. 1.44 kW (100 to 127V)
Dimensions (W x D x H)		608 x 690 x 837 mm (23 15/16" x 27 11/64" x 32 61/64")
Weight (approx.)		66 kg (145.5 lbs)

Copier

Original paper size		Max. A3 (11" x 17")
First copy time*⁷		3.7/3.9 sec.
Continuous copy		Max. 999 copies
Resolution	Scan	600 x 600 dpi, 600 x 400 dpi, 600 x 300 dpi* ⁸
	Print	600 x 600 dpi, 9,600 (equivalent) x 600 dpi
Gradation	Scan	256 levels
	Print	256 levels (equivalent)
Zoom range		25% to 400% (25% to 200% using RSPF) in 1% increments
Preset copy ratios		Metric: 10 ratios (5R/5E), inch: 8 ratios (4R/4E)

Colour Scanner

Scan method	Push scan (via control panel)
Resolution	100, 200, 300, 400, 600 dpi
File formats	TIFF, PDF, PDF/A, JPEG* ⁹ , XPS
Scan destination	Scan to USB drive

Network Printer

Resolution	600 x 600 dpi, 9,600 (equivalent) x 600 dpi
Interface	USB 2.0, 10Base-T/100Base-TX/1000Base-T
Supported OS	Windows Server [®] 2003, Windows Server [®] 2003 R2, Windows Server [®] 2008, Windows Server [®] 2008 R2, Windows Server [®] 2012, Windows Server [®] 2012 R2, Windows Vista [®] , Windows [®] 7, Windows [®] 8.1, Windows [®] 10
Network protocols	TCP/IP (IPv4), IPX/SPX (NetWare)
Printing protocols	LPR, Raw TCP (port 9100), POP3 (e-mail printing), HTTP, FTP for downloading print files, IPP
PDL	PCL 6 emulation
Available fonts	80 fonts for PCL